

The Cloister at Saint Henry Privacy Fence

(a guide to methods and materials)

Wood

Posts: 4 X 4 (s4s) pressure treated yellow pine.

Framing: 2 X 4 (s4s) pressure treated yellow pine.

Boards: 1 X 6 (s4s) pressure treated yellow pine.

Fasteners

Frame: DeckMate #10 3 in. Star Flat-Head Wood Deck Screws or equivalent.

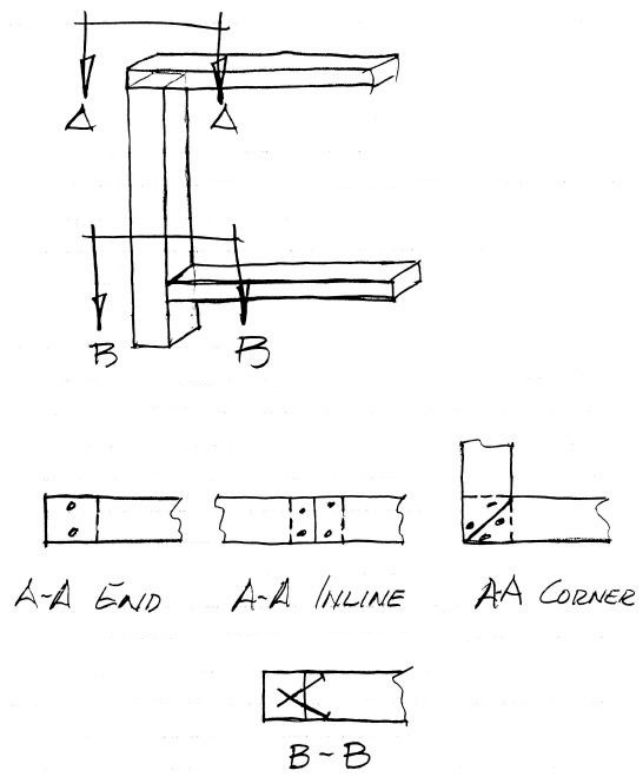
Boards: DeckMate #10 2-1/2 in. Star Flat-Head Wood Deck Screws

Construction

Posts: Set with 120 pounds concrete 18-24 inches deep, five (5) feet exposed above ground, buried end not cut raised 2-4 inches above bottom of hole.

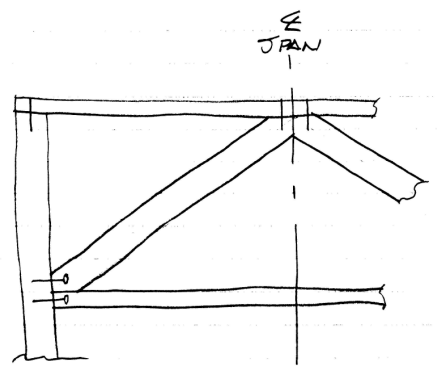
Frame: Attached to posts, bark side up or out, with DeckMate #10 3 in. Star Flat-Head Wood Deck Screws or equivalent, two (2) per joint (see **Sketch1**), if necessary drill holes to prevent splitting.

Top stringer attached to top of post, bottom attached to post approximately one (1) foot above ground, maximum span eight (8) feet (see **Sketch 1**).



Sketch 1

Bracing: Frame to be braced diagonally (see **Sketch 2**).



Sketch 2

Boards: Fence height to be uniformly six (6) feet, boards one (1) inch above ground. Boards to be uniformly spaced 3 1/2 - 4 1/2 inches edge to edge,

secured to frame with two (2) specified fastners at each contact point.
Boards installed bark side out.

Top ends of boards to be as those of other fences nearby; dog-eared,
radiused etc.

General: Posts and fence boards must be plumb.

. . . . and Gate

Wood

Framing: 1 X 4 (s4s) pressure treated yellow pine.

Boards: 1 X 6 (s4s) pressure treated yellow pine.

Fasteners

Framing: 4d hot dipped galvanized nails, ring shank/spiral.

Boards: 6d hot dipped galvanized nails, ring shank/spiral.

Hinges: 2 X 5/16 inch (minimum) hot dipped galvanized lag bolts, to gate post;
galvanized bolts, washers and nuts as appropriate to gate.

Latch: Depending on type, as hinges or appropriate.

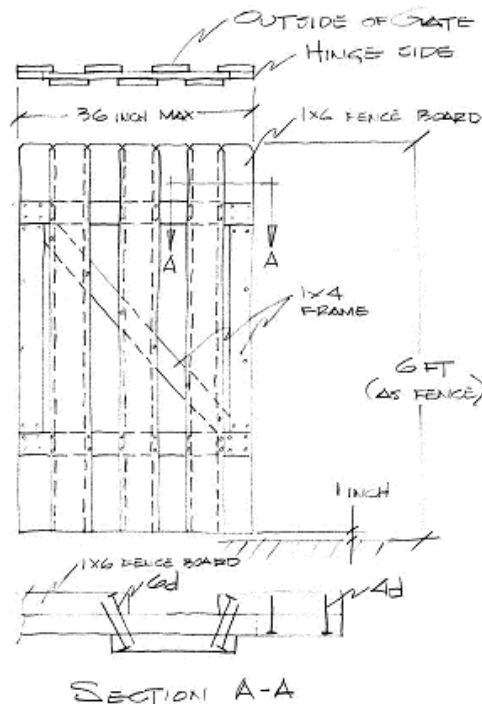
Hardware

Hinges: Butterfly hinge of adequate size (6 - 8 inch) preferred, black finish.
T-hinge (6 - 8 inch) as alternate, black finish, adjust top gate frame
member to accommodate proper mounting if needed.

Latch: Paddle or Maxima, black finish, mounted to post, bar mounted to gate.

Construction

General: Maximum and suggested width of gate, 36 inches, swing to outside.



Sketch 3

Frame: 1 X 4, diagonally braced from bottom hinge to opposite corner, nailed only to edge boards (1 X 6) of gate with 4d nails, thereafter nailed through when attaching boards (1 X 6) to gate with 6d nails (see **Sketch 3**).

Boards: At each edge of fence board that contacts the 1 X 4 frame (except the diagonal brace) AND overlaps a fence board on the opposite side, two (2) 6d nails are used to secure the three parts together. At diagonal brace contact, only one (1) 6d nail per edge is used (see **Sketch 3**).

General: Gate boards to be plumb, frame plumb and square.

12 JUN 03
